

Features

- Brass construction.
- For single-hole installation.
- One-piece, self-contained ceramic disc valve which allows both volume and temperature setting.
- Temperature memory allows the faucet to be turned on and off at any temperature setting.
- 4-3/8" (111 mm) spout reach.
- Stationary spout.
- No drain, no lift rod.
- Flexible connections.
- 0.5 gal/min (1.9 l/min) maximum flow rate [max at 80 psi (5.5bar)]



ADA **CSA B651** **OBC**

Codes/Standards

ASME A112.18.1/CSA B125.1
NSF/ANSI 61
NSF/ANSI 372
All applicable US Federal and State material regulations
DOE - Energy Policy Act 1992
California Energy Commission (CEC)
ADA
ICC/ANSI A117.1
CSA B651
OBC


KOHLER® Faucet Lifetime Limited Warranty

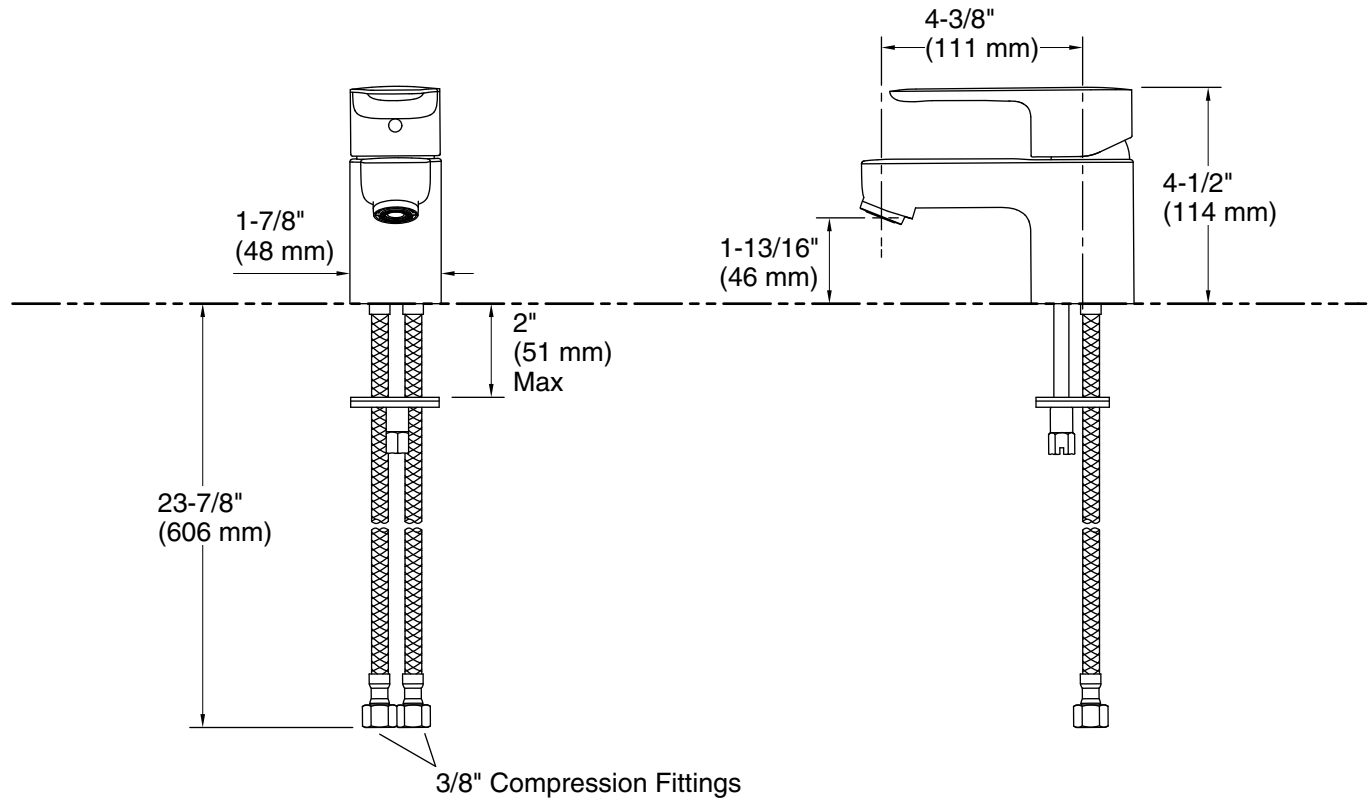
See website for detailed warranty information.

Available Colors/Finishes

Color tiles intended for reference only.

Color Code Description

 CP Polished Chrome



Technical Information

All product dimensions are nominal.

Faucet:

Flow rate: 0.5 gal/min (1.9 l/min)

Pressure: 80 psi (5.5 bar)

Spout:

Spout reach: 4-3/8" (112 mm)

Notes

Install this product according to the installation guide.

ADA, OBC, CSA B651 compliant when installed to the specific requirements of these regulations.